

4-veis Gulvstender

Produsent: IDT Solutions AS

Spesifikasjoner

Chassi
Fot

Aluminium
Stål

Farge

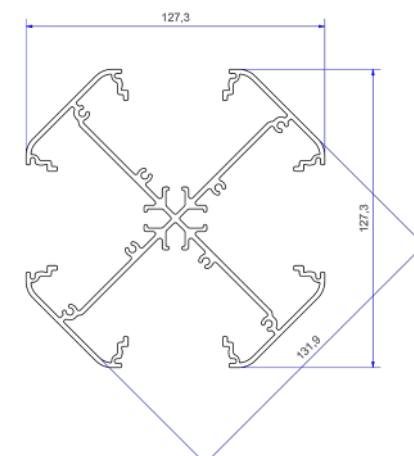
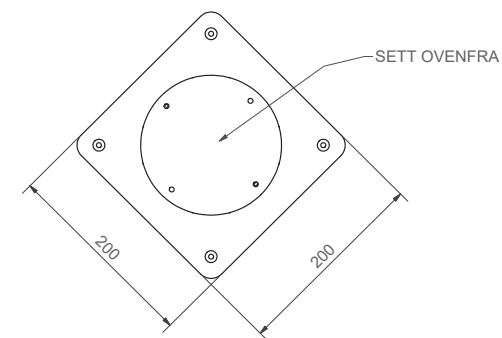
Naturløst aluminium
Hvit

RAL 9006
RAL 9010

Sterkstrømskomponenter er levert av Peha / Honeywell.
Nettverksutstyr og eventuelt andre komponenter er kundetilpasset og leveres etter ønske, men innenfor gjeldene standarder produktet er godkjent for.

Godkjenninger

IDT sine produkter er testet hos Nemko for CE merking.
IDT er ISO godkjent etter 9001 og 14001 standarden.
Vi kjører 100% testing av både 230V og nettverk.
Testet og godkjent for 230V/16A.





CERTIFICATE

Kiwa AS,
Kabelgaten 2,
N-0580 Oslo



Management System Certificate

To certify conformity with // Godkjent overensstemmelse med
the Management System Requirements of // Styringssystemkravene i henhold til

NS-EN ISO 9001:2015
NS-EN ISO 14001:2015

awarded // tildelt



IDT Solutions AS
Lenagata 131, 2850 Lena

Manufacturing/supplying following products/services:
for produksjon/leveranse av følgende produkter/tjenester:

**Produksjon av egne produkter innen
elektro, møbel, sport og aluminiumsbehandling**

Certificate No // Sertifikat nr.:

517

First issued // Utstedt første gang: 2006-07-04
Last expiry // Forrige utløp: 2021-07-04
Last recertification // Siste resertifisering : 2021-05-19

Valid until // Gyldig til: 2024-07-04
Issued // Utstedt: 2021-06-11
Audit: Annual // Oppfølging: Årlig


Director Certification // Direktør Sertifisering



Order No. 364303

CERTIFICATE

No. P20225181



Page 1 of 1

Product	Service pole
Applicant	IDT Solutions AS Lenagata 131, Bruvoll N-2850 Lena Norway
Manufacturer	IDT Solutions AS Lenagata 131, Bruvoll N-2850 Lena Norway
Factory	IDT Solutions AS Øverskreien 155, Grytenga N-2848 Skreia Norway
Ratings	16A 230V AC
Trade mark	IDT
Model / Type Ref.	IDTelit-1
Principal characteristics	Service poles, for flush type accessories like socket-outlets and tele/data-outlets (type RJ45). Assembled by manufacturer, pre-wired with non-rewirable plug (CEE7/II), cable type H05VV-F 3G1.5mm ² . Flush type- or bracket mounting in/on office tables.
A sample of the product was tested and found to be in conformity with	INST EN 50085-1:2005;A1 EN 50085-2-4:2009
Validity	This certificate documents conformity with the standards shown, and also applies as license for use of Nemkos name and certification mark. The certificate and license is valid as long as the applicable conditions are complied with, and provided that any changes to the product are notified to Nemko for acceptance prior to implementation. New standards or amendments to the standards may imply that the product design must be updated and/or that re-testing and re-certification is necessary.
Additional information	This certificate replaces the certificate P20225181 issued 21-12-2020, due to misprint in principal characteristics section.
Additional model(s)	No additional models

Date of issue 16-12-2021



Jiyea Gim
Certification Department

Nemko Group
Philip Pedersens vei 11, 1366 Lysaker, Norway
TEL +47 22 96 03 30 EMAIL info@nemko.com
ENTERPRISE NUMBER NO974404532

nemko.com