

# Elriser Cover

Produsent: IDT Solutions AS

## Spesifikasjoner

Chassi	Aluminium
Holder	Stål

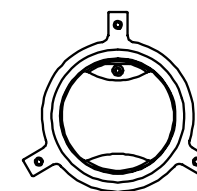
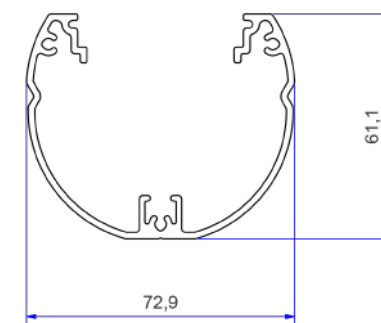
## Farge

Naturløst aluminium med sort topp	RAL 9006
-----------------------------------	----------

Sterkstrømskomponenter er levert av Peha / Honeywell. Standard levert med 3g 1,5mm<sup>2</sup> PMH tilførselskabel. Nettverksutstyr og eventuelt andre komponenter er kundetilpasset og leveres etter ønske, men innenfor gjeldene standarder produktet er godkjent for.

## Godkjenninger

IDT sine produkter er testet hos Nemko for CE merking. IDT er ISO godkjent etter 9001 og 14001 standarden. Vi kjører 100% testing av både 230V og nettverk. Testet og godkjent for 230V/16A.



UTSKJÆRINGSMÅL I BORDPLATE:

Ø 92 (STANDARD HULLSAG)



CERTIFICATE

Kiwa AS,  
Kabelgaten 2,  
N-0580 Oslo



## Management System Certificate

To certify conformity with // Godkjent overensstemmelse med  
the Management System Requirements of // Styringssystemkravene i henhold til

**NS-EN ISO 9001:2015**  
**NS-EN ISO 14001:2015**

awarded // tildelt



**IDT Solutions AS**  
Lenagata 131, 2850 Lena

Manufacturing/supplying following products/services:  
for produksjon/leveranse av følgende produkter/tjenester:

**Produksjon av egne produkter innen  
elektro, møbel, sport og aluminiumsbehandling**

Certificate No // Sertifikat nr.:

**517**

First issued // Utstedt første gang: 2006-07-04  
Last expiry // Forrige utløp: 2021-07-04  
Last recertification // Siste resertifisering : 2021-05-19  
Valid until // Gyldig til: 2024-07-04  
Issued // Utstedt: 2021-06-11  
Audit: Annual // Oppfølging: Årlig

  
Director Certification // Direktør Sertifisering



Order No. 364303

# CERTIFICATE

No. P20225181



Page 1 of 1

Product	Service pole
Applicant	IDT Solutions AS Lenagata 131, Bruvoll N-2850 Lena Norway
Manufacturer	IDT Solutions AS Lenagata 131, Bruvoll N-2850 Lena Norway
Factory	IDT Solutions AS Øverskreien 155, Grytenga N-2848 Skreia Norway
Ratings	16A 230V AC
Trade mark	IDT
Model / Type Ref.	IDTelit-1
Principal characteristics	Service poles, for flush type accessories like socket-outlets and tele/data-outlets (type RJ45). Assembled by manufacturer, pre-wired with non-rewirable plug (CEE7/II), cable type H05VV-F 3G1.5mm <sup>2</sup> . Flush type- or bracket mounting in/on office tables.
A sample of the product was tested and found to be in conformity with	INST EN 50085-1:2005;A1 EN 50085-2-4:2009
Validity	This certificate documents conformity with the standards shown, and also applies as license for use of Nemkos name and certification mark. The certificate and license is valid as long as the applicable conditions are complied with, and provided that any changes to the product are notified to Nemko for acceptance prior to implementation. New standards or amendments to the standards may imply that the product design must be updated and/or that re-testing and re-certification is necessary.
Additional information	This certificate replaces the certificate P20225181 issued 21-12-2020, due to misprint in principal characteristics section.
Additional model(s)	No additional models

Date of issue 16-12-2021



Jiyea Gim  
Certification Department

**Nemko Group**  
Philip Pedersens vei 11, 1366 Lysaker, Norway  
TEL +47 22 96 03 30 EMAIL info@nemko.com  
ENTERPRISE NUMBER NO974404532

[nemko.com](http://nemko.com)